



PNEUMATIC ROCKDRILLS

DIAMOND DRILLS

REPLACEMENT PARTS

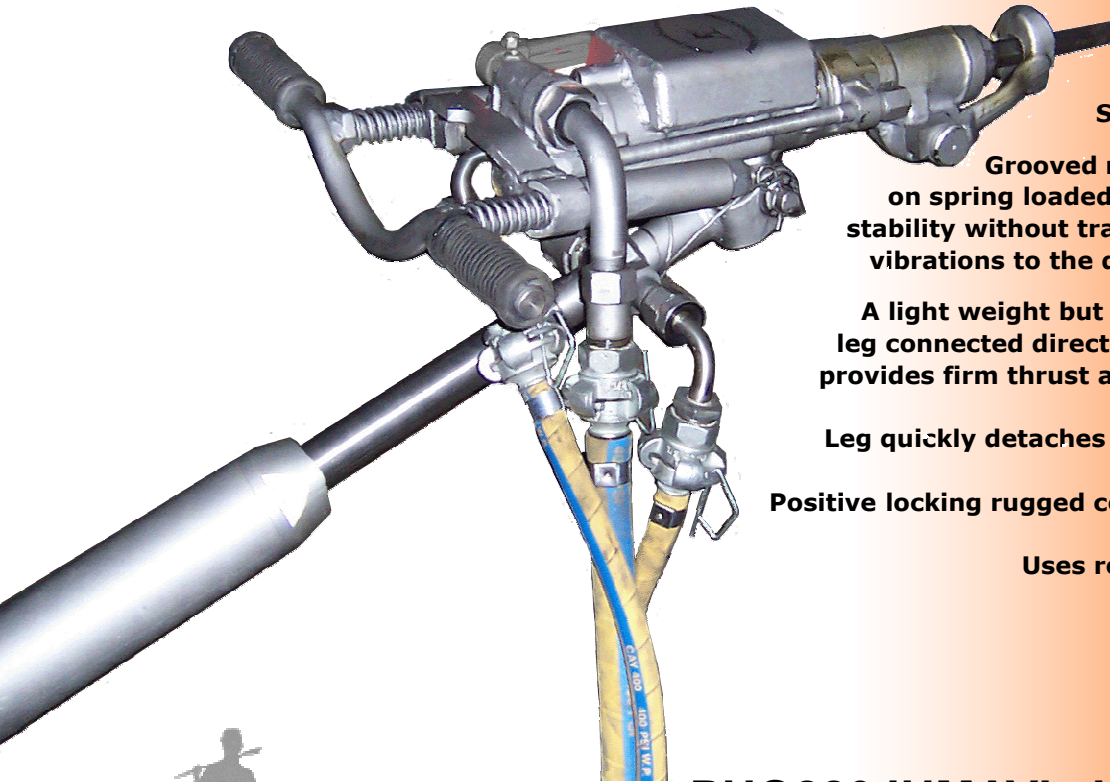
# PARTS HEADQUARTERS INC.

1175 Appleby Line, Unit C2, Burlington, Ontario, Canada L7L 5H9 Phone 905-332-3271 Fax 905-332-9497 Email [info@partshq.com](mailto:info@partshq.com)

## PHQ220JHMAVL Anti-Vibration Jackleg

Light weight high frequency drill delivers fast penetration, and strong torque.

Convenient throttle handle control at the backhead with a motorcycle grip type feed control mounted on the pusher leg for ease of operation.



Positive lubrication.  
Strong front end blow.

Grooved rubber grips mounted on spring loaded handles provide firm stability without transmission of harmful vibrations to the drill operator's hands.

A light weight but powerful feed pusher leg connected directly to the drill cylinder provides firm thrust and absorbs vibration.

Leg quickly detaches by removing one bolt

Positive locking rugged collared steel retainer.

Uses rock drill oil or grease.



## PHQ220JHMAVL Jackleg Drill

*PHQ's newest AV JackLeg Drill has a wide grip spring loaded T-handle to provides stable gripping and vibration free use with feed controls conveniently located on the light pusher leg*



ISO 9001:2000

Certificate: 002485

[www.partshq.com](http://www.partshq.com)

# Features

Light Weight High Frequency Drill  
Quick Detach Aluminum Feed Leg

## PHQ250JLM Jackleg Specifications

### CYLINDER BORE – CYLINDER STROKE

68 mm                      55 mm

### AIR CONSUMPTION

117 cfm @72psi – 3.3 cu m/m @ 5 Bar

### BLOWS PER MINUTE

2175 bpm @ 72psi – 2175 bpm @ 5 Bar

### SHANK SIZE - Collared

7/8 inch x 4¼ inch - 22 mm x 108mm

### LENGTH

Drill 540 mm - 600 mm with T Handle

Long Leg Retracted 1900 mm

Long Leg Extended 3100 mm

Short Leg Retracted 1500 mm

Short Leg Extended 2400 mm

### WEIGHT

Drill 27 kg with T Handle

Long Leg 17 kg

Short Leg 15 kg

Drill T Handle Long Leg Hoses 49 kg

Drill T Handle Short Leg Hoses 47 kg

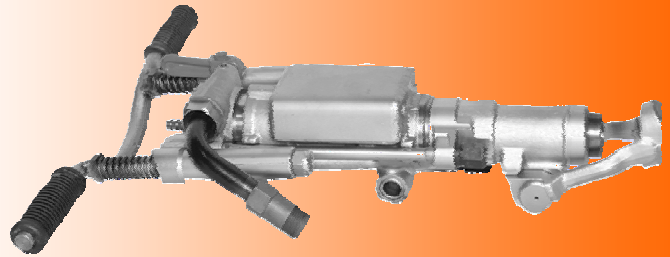
### PHQ220 Jackleg configurations:

- JHM Integral steel muffler
- JHS Standard exhaust
- AV Anti-vibration T handle
- L Complete with leg

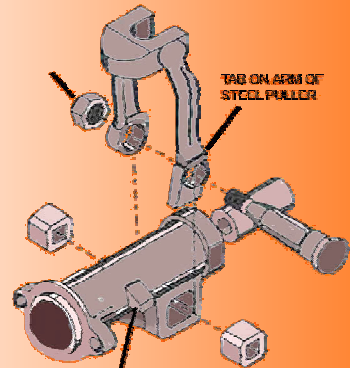
### PHQ220JHMAVL

Muffled anti-vibration jackleg c/w T Handle & leg

# PHQ220AVJackleg Drill



LOCKING FRONT END



TAB ON STEEL PULLER STOPS AT TAB ON FRONT END



**PHQ carries a full range of parts for PHQ220 drills in stock.**

**All parts made to precise specifications using only the highest quality tool steel**